

TAC MicroNet™

MN 110 and 130 Series Controllers

The TAC I/A Series MicroNet 110 and 130 Controllers are programmable, interoperable controllers designed in accordance with LonMark® guidelines. When programmed using TAC WorkPlace Tech Tool (WP Tech), these controllers provide control for fan coil and unit ventilator applications. These controllers feature: screw terminal blocks; three universal inputs; three high-voltage relay outputs (only one for the MN 110); four 24 Vac Triac (digital) outputs; and an S-Link interface for connection to an optional MN-Sx TAC I/A Series MicroNet Sensor.

The MN 110 and 130 controllers conform to the LonMark Fan Coil Unit functional profile (8020), providing open communication and interoperability with third party LonMark devices, and greater freedom in system design. These controllers can function in standalone mode or as part of a LonWorks® TP/FT-10 Free Topology network.

Especially suitable for new or existing system installations, the MN 110 and 130 controllers provide control for fan coil units and unit ventilators with direct connection(s) to one, two, or three electrical loads such as fans, pumps, relays, or electric heat, at up to 240 Vac at 3 A.

MN 110 and 130 controllers offer the advantages of either standalone or network control. Support is also provided for an optional MN-Sx TAC I/A Series MicroNet Sensor (see the table, "Inputs from MN-Sx TAC I/A Series MicroNet Sensor," on page 3, for features).

The TAC WorkPlace Tech Tool may be used to program the MN 110 and 130 controllers through the LonWorks network jack on either the controller or a connected MN-Sx sensor.

- One or three high-voltage relay outputs capable of directly powering typical 240 Vac, 3 A motors.
- Uses the LonMark Fan Coil Profile 8020 for interoperability.
- Capability to function in standalone mode or as part of a LonWorks TP/FT-10 Free Topology communications network.
- Onboard LED indication without cover removal.
- Compact size allows mounting in confined spaces.
- Four 24 Vac Triac outputs.
- Can be directly mounted on a wall, or on a DIN rail, within a suitable grounded metal enclosure.
- Built-in jack for connection to a LonWorks network.

Software Capabilities

- Allows design of a complete custom application for each controller.
- Conforms to the LonMark guidelines.
- TAC WorkPlace Tech Tool is capable of reconfiguring and editing application configuration data.
- Interoperability achieved through use of the LonMark Fan Coil Profile 8020.

Table-1 Model Chart.

Model	Description	Inputs/Outputs	Profiles
MNL-11RFx	TAC I/A Series MicroNet MN 110 Controller	3 Universal Inputs (UI)	Fan Coil
		1 Line Voltage Relay Output (DO)	
		4 Triac Outputs (DO)	
MNL-13RFx	TAC I/A Series MicroNet MN 130 Controller	3 Universal Inputs (UI)	Fan Coil
		3 Line Voltage Relay Outputs (DO)	
		4 Triac Outputs (DO)	

Table-2 Inputs from MN-Sx TAC I/A Series MicroNet Sensor.

Inputs	Description	MN-Sx Sensor
Space Temperature	32 to 122 °F (0 to 50 °C)	MN-S1, MN-S1HT, MN-S2, MN-S2HT, MN-S3, MN-S3HT, MN-S4, MN-S4HT, MN-S4-FCS, MN-S4HT-FCS, MN-S5 and MN-S5HT
Space Humidity	5 to 95% RH, Non-condensing	MN-S1HT, MN-S2HT, MN-S3HT, MN-S4HT, MN-S4HT-FCS, and MN-S5HT
Adjustable Setpoint	40 to 95 °F (4 to 35°C)	MN-S3, MN-S3HT, MN-S4, MN-S4HT, MN-S4-FCS, MN-S4HT-FCS, MN-S5, and MN-S5HT
Override Pushbutton	For standalone occupancy control or remote status monitoring of local status condition	MN-S2, MN-S2HT, MN-S3, MN-S3HT, MN-S4, MN-S4HT, MN-S5, and MN-S5HT
Fan Operation and Speed	Fan mode selection: On, Speed (Low/Medium/High), or Auto	MN-S4, MN-S4HT, MN-S4-FCS, MN-S4HT-FCS, MN-S5, and MN-S5HT
System Mode	System mode selection: Heat, Cool, Off, or Auto	MN-S4, MN-S4HT, MN-S5, and MN-S5HT
Emergency Heat	Emergency heat mode selection: Enable or Disable	MN-S5 and MN-S5HT

Communications

LonWorks Networks

A LonWorks communications network uses an TP/FT-10 Free Topology configuration. Controllers on a LonWorks network can communicate with each other in a peer-to-peer fashion. A LonWorks network has a communications speed of 78k baud, using unshielded, twisted-pair cabling, with connections that are not polarity sensitive.

S-Link

The Sensor Link (S-Link) communications wiring provides power and a communication interface for an MN-Sx TAC I/A Series MicroNet sensor. The various MN-Sx sensors can provide room temperature, room humidity, setpoint adjustment, and occupancy override. This connection uses two-wire, unshielded cable and is not polarity sensitive. Maximum wire length allowed between a controller and a TAC I/A Series MicroNet Sensor is 200 ft (61 m).

SPECIFICATIONS

HARDWARE SPECIFICATIONS

Dimensions

4.2 H x 6.1 W x 2 D in. (107 x 154.9 x 50 mm).

Enclosure

Molded ABS plastic case. Fire resistant to UL94VO.

Power Supply Input

24 Vac +25/-15%, 50/60 Hz.

Maximum Power Consumption

MNL-11RFx

20.5 VA @ 24 Vac, 50/60 Hz (8.5 VA plus maximum DO1-DO4 total load of 0.5 A or 12 VA).

MNL-13RFx

21.5 VA @ 24 Vac, 50/60 Hz (9.5 VA plus maximum DO1-DO4 total load of 0.5 A or 12 VA).

Surge Immunity Compliance

IEEE C62.41 (IEEE-587, Category A & B).

Mounting

Wall or 35 mm DIN rail, within a suitable grounded metal enclosure.

AGENCY LISTINGS

FCC

Class B.

UL

UL-873 (File #E9429) Recognized Component.

UL Recognized Canadian Component..

Australia

Meets requirements to bear the C-Tick Mark.

European Community – EMC Directive

89/336/EEC

EN61326.

Low-Voltage Directive – 73/23/EEC

EN60730-1.

AMBIENT LIMITS

Operating Temperature

-40 to 131 °F (-40 to 55 °C).

Shipping and Storage Temperature

-40 to 160 °F (-40 to 71 °C).

Humidity

0 to 95% RH, non-condensing.

Wiring Terminals

Screw terminal blocks. Low voltage screw terminals (all except high-voltage terminals) accept a single AWG #18 (0.823 mm²) or smaller wire. High-voltage screw terminals (DO5, C5, DO6, C6, DO7, and C7) accept a single AWG #14 (2.08 mm²) or smaller wire.

UNIVERSAL INPUTS (3)

Universal Input characteristics are software-configured to respond to one of the following input types:

10K Thermistor with 11K Shunt Resistor

Sensor operating range -40 to 250 °F (-40 to 121 °C), TAC model TSMN-57011-850, TS-5700-850 series or equivalent.

10K Resistance

0 to 10.5K ohms.

Balco

-40 to 250 °F (-40 to 121 °C), TAC model TSMN-81011, TS-8000 series or equivalent.

Platinum

-40 to 240 °F (-40 to 116 °C), TAC model TSMN-58011, TS-5800 series or equivalent.

1K Resistance

0 to 1.5K ohms.

Analog Voltage

Range 0 to 5 Vdc.

Analog Current

Range 0 to 20 mA requires an external 250 ohm shunt resistor.

Digital

Dry switched contact (N.O. or N.C.). Detection of closed switch requires less than 300 ohms. Detection of open switch requires more than 1.5 K ohms.

LINE VOLTAGE RELAY OUTPUTS

MNL-11RFx (1)

3 A maximum at 240 Vac, cos Ø = 0.4. Form A (SPST — normally open).

MNL-13RFx (3)

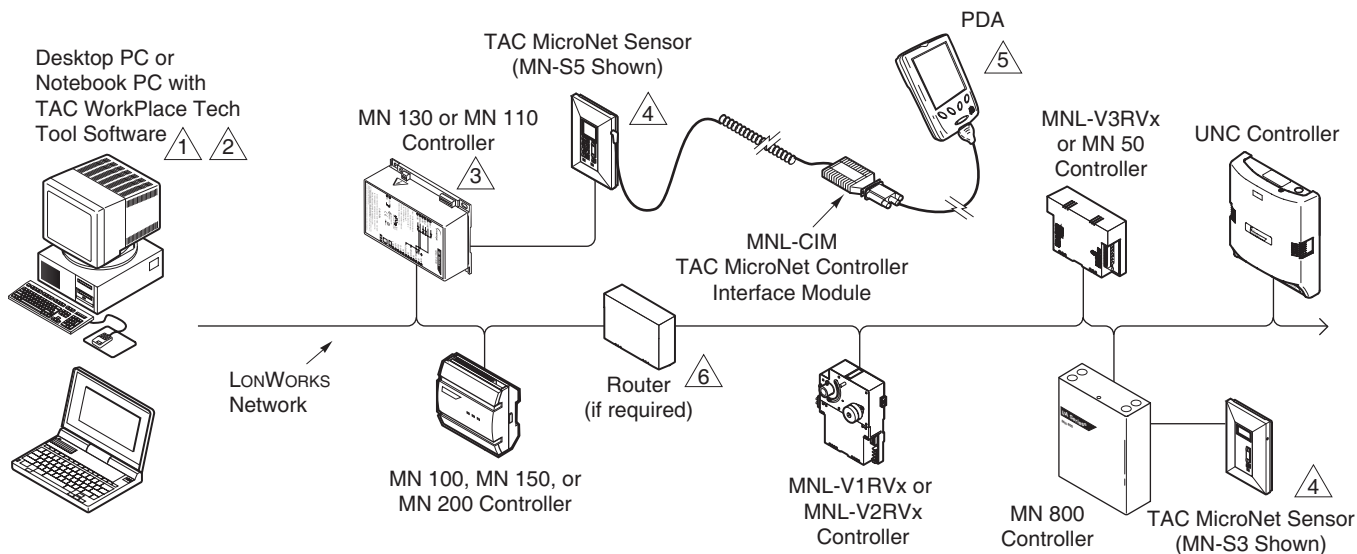
3 A maximum at 240 Vac, cos Ø = 0.4. Form A (SPST — normally open).

TRIAC OUTPUTS (4)

Digital outputs for switching 24 Vac (0.5 A or 12 VA maximum total load for DO1-DO4 @ 24 Vac).

WARNING:

This controller is not suitable for exposed mounting on a wall or panel, or in any other easily accessible place due to the possibility of personal contact with the mains terminals. It must be mounted inside a suitable grounded metal enclosure.



- 1 A PC can be connected to the LONWORKS TP/FT-10 Network, either directly or through the LONWORKS® network jack of a LONWORKS controller or MN-Sxxx Wall Sensor. The PC must have an Echelon® LonTalk® adapter card.
- 2 Programming any of the TAC I/A Series controllers, or the TAC I/A Series MN 800 controller, requires TAC WorkPlace Tech Tool.
- 3 This controller is not suitable for exposed mounting on a wall or panel, or in any other easily accessible place due to the possibility of personal contact with the high-voltage terminals. It must be mounted inside a suitable grounded metal enclosure.
- 4 TAC MicroNet Sensors can be connected to any MN controller.
- 5 A PDA running the Pocket TAC I/A interface software may be used to communicate with TAC MicroNet I/A Series controllers.
- 6 When routers are used, WP Tech is able to communicate through them to any of the TAC I/A Series devices on the network.

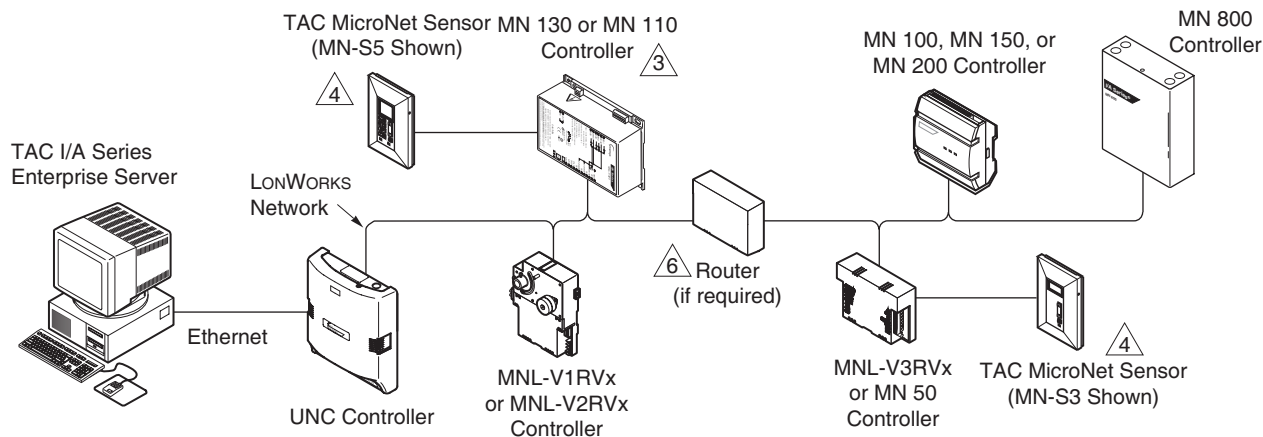


Figure-1 TAC I/A Series MicroNet MN110 and 130 Controller Connectivity.

Copyright © 2006, TAC
 All brand names, trademarks and registered trademarks are the property of their respective owners. Information contained within this document is subject to change without notice. All rights reserved.

TAC
 1354 Clifford Avenue
 PO Box 2940
 Loves Park, IL 61132-2940

Distributed, manufactured, and sold by TAC. I/A SERIES trademarks are owned by Invensys Systems, Inc. and are used on this product under master license from Invensys. Invensys does not manufacture this product or provide any product warranty or support. For service, support, and warranty information, contact TAC at 1-888-444-1311.

F-27040-3



www.tac.com

